



Your Accessibility Partners

**V1504**  
**OWNER'S MANUAL**

000612  
12/2006

-6-

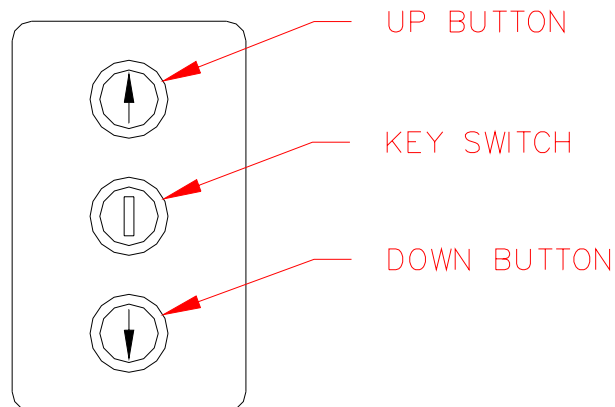


## OPERATION OF THE V1504

### 1.0 OPERATING THE V1504

Insert the key and turn it in the operating position on any call/send control (FIGURE 1.0). The key is in the operating position when it can not be pulled out. **Always take the key out when the unit is not in operation.** Apply constant pressure on the appropriate button to call the platform to the landing. The V1504 will not move if one the doors is open.

FIGURE 1.0 (The call station on your unit may differ from the one shown)



### 2.0 OPENING THE DOOR

#### 2.1 Mechanical (GAL) locks

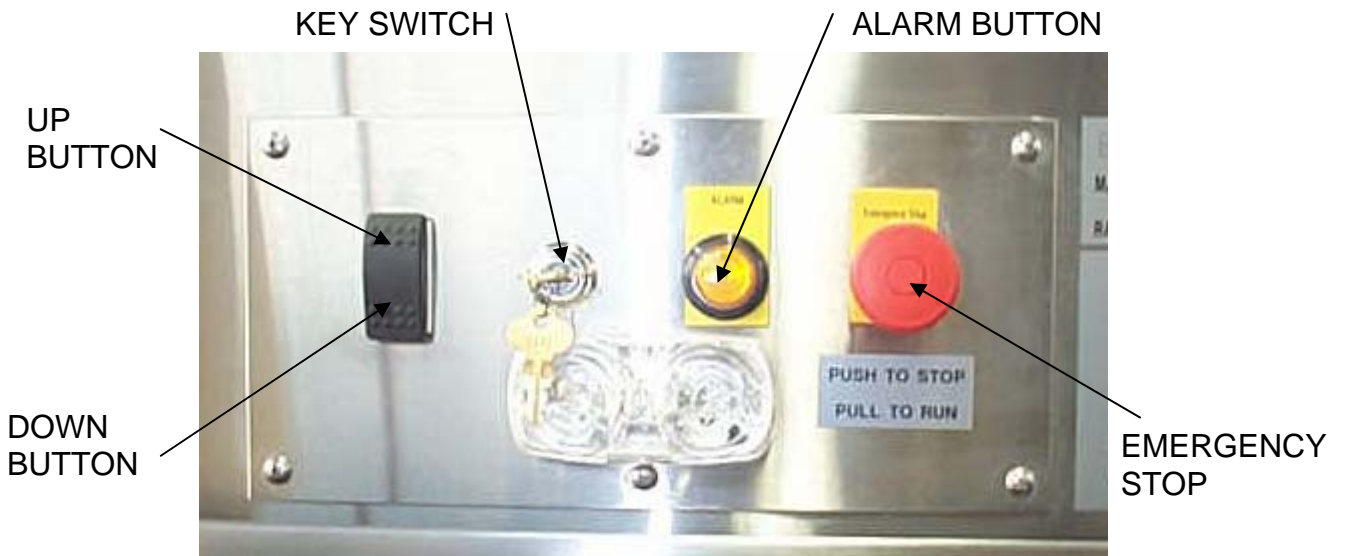
The door will unlock automatically when the platform reaches the landing.

#### 2.2 Electric strikes

The door will unlock automatically for a few seconds when the platform reaches the landing. If you need to reopen the door after the delay is over, turn the key on and depress the call button once again. This will unlock the door once again.

### 3.0 CAB CONTROLS

FIGURE 2.0



- Key switch : Needs to be on to activate the operating buttons.
- Up button : Will move the platform in the up direction.
- Down button : Will move the platform in the down direction.
- Emergency stop : (Optional equipment) Will stop the platform instantly. Overrides the call stations. The alarm will go on.
- Alarm button : (Optional equipment) Will activate the alarm.

### 4.0 SAFETY DEVICES

- Underpan sensor : (Optional equipment) Located under the platform, it will stop it if something is hit during the down travel.

Door contacts: Will prevent the platform from moving with any of the doors opened.

## 5.0 EMERGENCY DOOR OPENING

### 5.1 GAL LOCK

The door can be opened manually using a special key into the round pin on the front of the lock (see figure 3.0) **This key is for emergency use only. It should always be kept in a safe place and used by trained personnel only.**

### 5.2 DOOR STRIKE ON DOORS PROVIDED BY SAVARIA

The door can be opened manually using a ¼ inch allen key through the front hole in the door (see figure 4.0) **This key is for emergency use only. It should always be kept in a safe place and used by trained personnel only.**

### 5.3 DOOR STRIKE ON DOORS PROVIDED BY OTHERS

See your dealer for appropriate instructions.

FIGURE 3.0

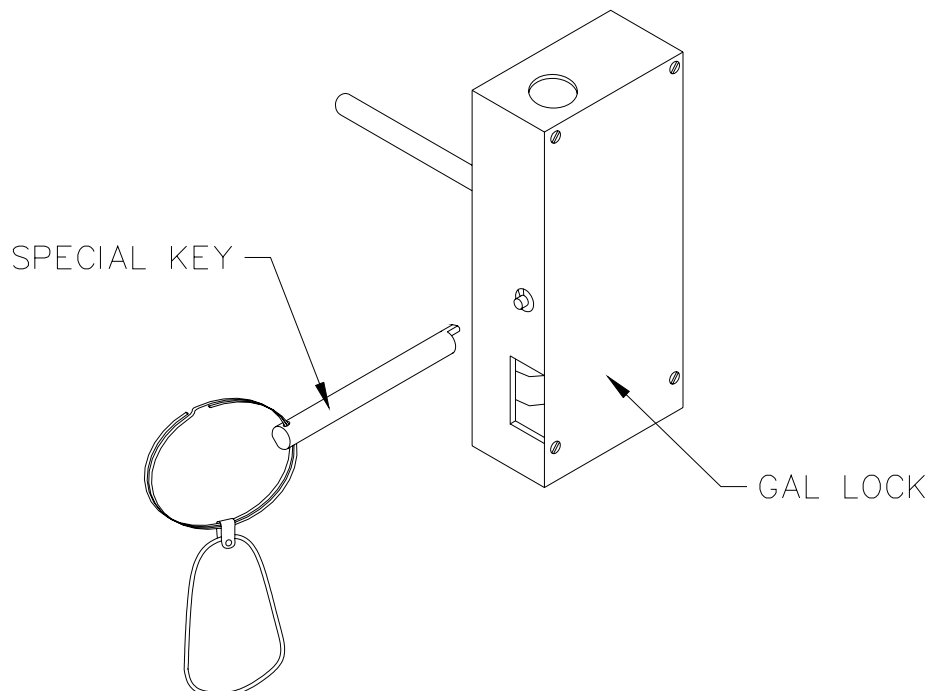
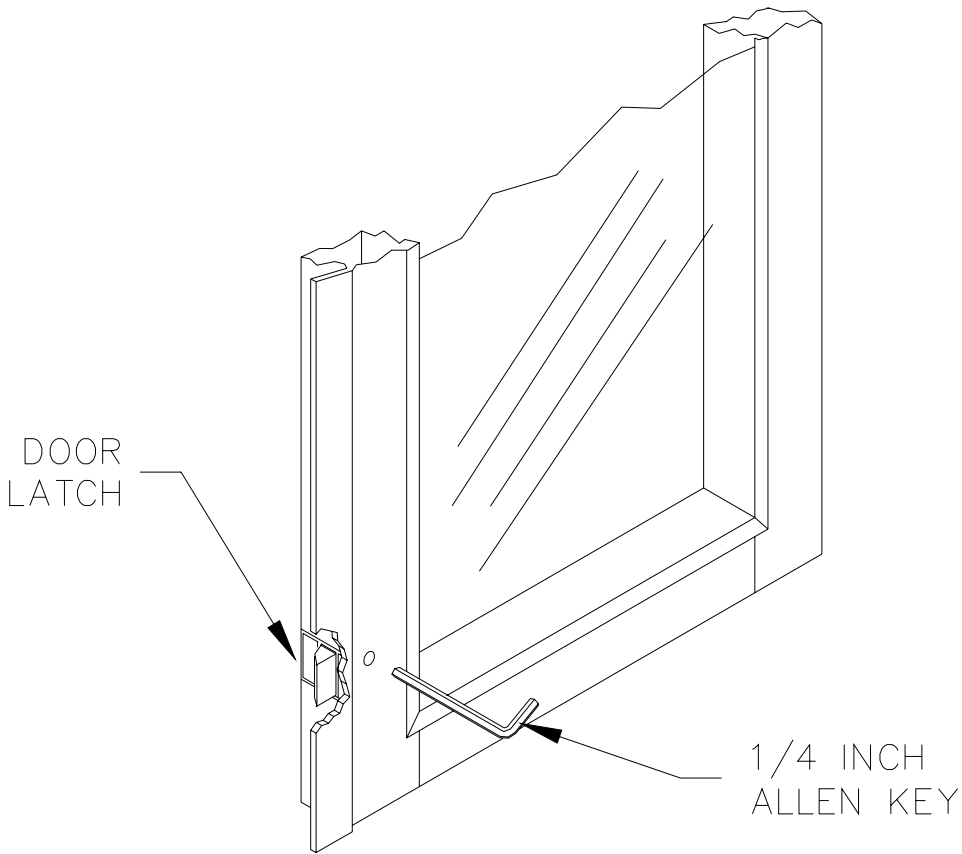


FIGURE 4.0

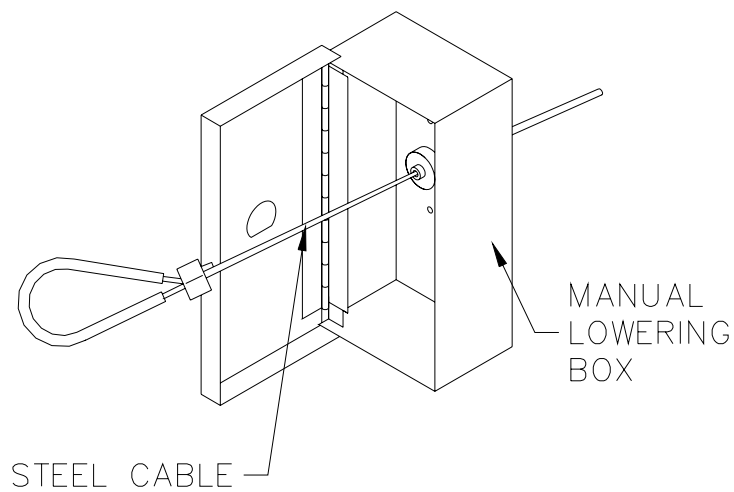


6.0 **REMOTE EMERGENCY MANUAL LOWERING DEVICE**

6.1 120V AC PUMP

The manual lowering box is located on the side of the V1504. When you pull on the steel cable located inside the manual lowering box, the platform comes down. **This mechanism should be used in case of emergency only.**

FIGURE 5.0



## 6.2 12V DC PUMP

A key switch, allowing to lower the platform manually, is located on the side of the V1504. Insert the key (the same one than for the call/send control) and turn it in the operating position to lower the platform. **This mechanism should be used in case of emergency only.**

## 7.0 MAINTENANCE

EVERY TWO MONTHS :

- Verification of the door contacts.

Door strike system :

- The lift should not move if any one of the doors is not closed and locked.

Interlock (GAL) system :

- The lift should not move if any one of the doors is not closed.
- The lift should not move beyond the door zone (usually less the four inches away from the landing in either direction) if the door is not locked. Hold the door unlocked by using the interlock key.

- Verification of the underpan sensor (if equipped).

These verifications can be made by the owner.

EVERY SIX MONTHS :

- Verification of all the suspension system.

- chains
- connecting links
- chain pulleys and shafts
- parts holding the chains on the rollers supports
- chain tensioners on the rail (make sure they are tight)
- cylinder head (cotter pins, cracks, welds)
- state of the rollers
- up relays

If you have two up relays (solenoids or contactors), make sure one of them is not stuck in the activated position. Use a multimeter to verify that every N.O. contact is open when the relays are not being activated.

- Safety brake :see Complementary reference of installation manual for procedure.
- Oil leaks
- Rollers
- Battery fluid level (optional system)

These procedures must be performed by qualified technicians.



## 8.0 **Troubleshooting**

- Platform goes up but does not come down :
  - Verify the underpan sensor (if equipped). Pull down on it to ensure the pan is not stuck in the activated position.
- Platform goes down but does not go up :
  - Verify the power supply (breaker, cord, battery etc.).
- Platform does not move :
  - Verify if the key is on.
  - Verify if the doors are closed.
  - Verify if the emergency stop is pushed in. It should be pulled out.
  - If the platform is at the top landing, verify the underpan sensor as explained above.



Your Accessibility Partners

### **36 MONTH LIMITED WARRANTY**

**SAVARIA CONCORD LIFTS INC.** warrants to the original consumer purchaser of this **SAVARIA CONCORD** lift, that the company will repair or exchange, at its option, any part of the lift that fails by reason of defective material or workmanship as follows:

- Repair or replace parts for a period of 36 months from date of lift purchase.

This warranty **does not cover** labour charges incurred in the removal, repair or replacement of parts.

To obtain warranty service, you must promptly notify the authorized **SAVARIA CONCORD** dealer from whom the lift was purchased, within the warranty period.

**This Warranty does not cover batteries, corrosion, malfunction or damage to lift parts caused** by accident, misuse, abuse or lack of proper maintenance, neglect, improper adjustment, modification, alteration, the structural condition of your building, overloading, failure to follow the lift operating instructions, or acts of God (i.e. weather, lightning, flood, etc.)

#### **This warranty is void if:**

- Lift has been installed or maintained by someone other than an authorized **SAVARIA CONCORD** dealer.
- Lift has been modified or altered in any respect from its original design without written authorization by **SAVARIA CONCORD LIFTS INC.**
- The user does not join a Preventive Maintenance Program offered by an authorized **SAVARIA CONCORD** dealer and does not have the **lift inspected at least once every 6 months or more frequent** as use or environment dictates

